

AIM FOR **THE NEXT LEVEL**



reximex

**INSTRUCTION MANUAL
RS 512 SEMI AUTO SHOTGUN**

**READ THE INSTRUCTIONS AND WARNINGS IN THIS MANUAL
CAREFULLY BEFORE USING THIS FIREARM**

Congratulations and thank you for choosing REXIMEX semi automatic shotgun.

WARNING!

Read very carefully this instruction manual before handling this shotgun. Incorrect handling may result in serious injury or death to you or bystanders.

Always keep this manual with your shotgun. Make sure you understand all the operation instructions, safety procedures and warnings in this manual before you handle the shotgun. If you sell, lend or give the shotgun to another, make sure this manual goes with it.

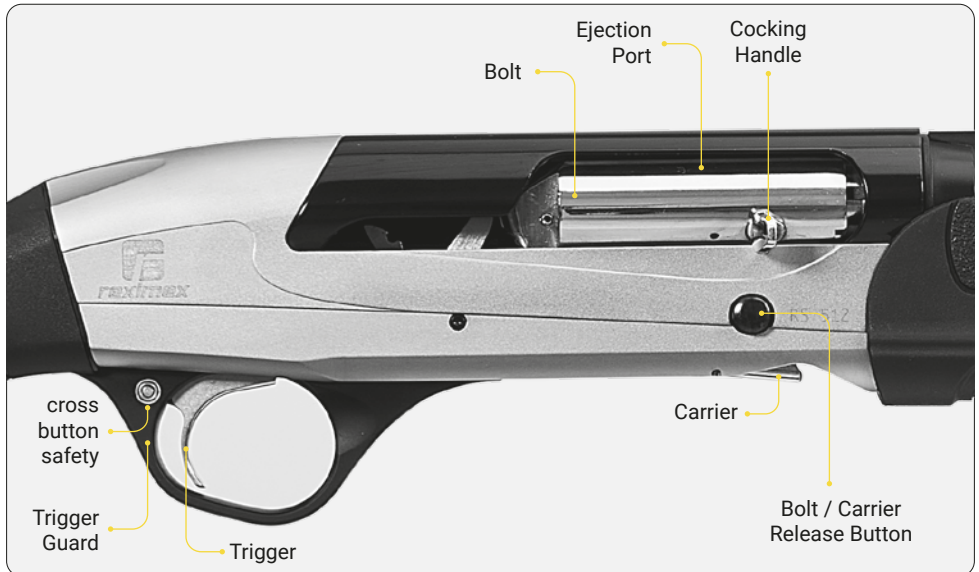
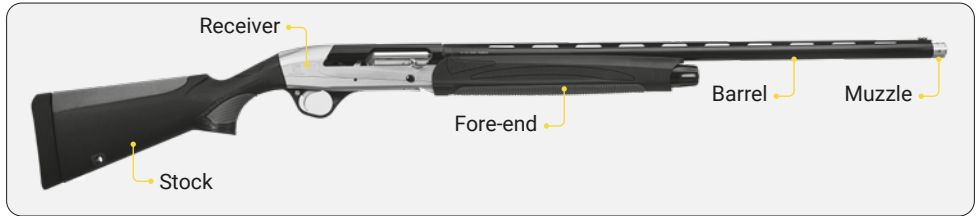
WARNING!

Always keep your finger outside the trigger guard and be sure that the safety is fully engaged until you are ready to fire. The safety is fully engaged only when its red ring is completely covered and it can be moved no further toward the "on" position.

SAFETY MEASURES

- Always point the shotgun in a safe direction even though it may be unloaded. Do not point the shotgun at anything you do not intend to shoot. Avoid all horseplay while handling a shotgun.
- Keep your finger away from the trigger when operating any other part of the shotgun's mechanism.
- Keep the safety "ON" until you are actually ready to fire. Treat every shotgun with respect and caution.
- Keep your fingers away from the muzzle. Never pull a shotgun toward you by the muzzle.
- Be sure the barrel is clear of obstructions.
- Keep your shotgun unloaded when not in use and never load your shotgun if you will not shoot.
- Always aim at a safe target, taking care that it does not conceal any other object. Be sure of your target and what lies beyond before you pull the trigger. Never shoot at sounds. To avoid ricochets, do not shoot at a flat or hard surface or at water.
- Store shotguns and ammunition separately, beyond the reach of children, better if under lock and key. Shotguns should always be unloaded when stored.
- Never carry a loaded shotgun inside a vehicle, house, camp, or public place. When transporting the shotgun keep the shotgun "on safe" and unloaded. Never climb a tree or fence, or jump a ditch with a loaded shotgun.
- Never rely on any one's words that the shotgun is "on safe" or unloaded. Always check to see if the shotgun is "on safe" and unloaded when getting it from another person or storage.
- Avoid alcoholic beverages or drugs before or during shooting.
- Always use eye & hearing protection and make sure bystanders are similarly protected.
- Although the shotgun itself does not contain any lead, it fires ammunition containing lead or lead compounds, which are known to be dangerous for health. When shooting or cleaning shotguns, take protective health measures. Avoid exposure to the lead while handling and wash your hands after contact. Proper air ventilation is absolutely necessary when shooting indoors.
- Any damage, malfunction, injury, or death resulting from the use of faulty, incorrect, non-standard, remanufactured, hand loaded or reloaded ammunition is the sole responsibility of the user.
- The user is solely responsible for the damage, injuries or death resulting from carelessness or misuse of the shotgun.

NOMENCLATURE



EXTERNAL CONTROL PARTS

("Right" and "Left" refer to the shotgun as seen by a shooter holding it in the firing position.)

Cross Button Safety:

It is located behind the trigger on the trigger housing.

When the red ring on its left side is visible, it means that the cross button safety is disengaged and shotgun is ready to fire.

To engage the cross button safety, push it fully to the right until its red ring disappears and it will move no further. The safety is now ON, blocking the trigger from being pulled.

To take the safety "OFF", push the button fully to the left, exposing its red ring. The trigger can now be pulled.



WARNING!

1. Always keep the cross button safety "ON" until you are ready to fire and the muzzle is pointing at the target.
2. Make sure that you understand how all controls work before you attempt to load the shotgun.
3. Keep the muzzle pointed in a safe direction and your finger off the trigger when operating the safety. Malfunctions which may cause a shotgun to fire is engaged or disengaged are rare but can happen. Even if an accidental firing should occur, nobody will be hurt if you follow this rule.

THREE THINGS TO REMEMBER ABOUT SAFETIES

NEVER TOTALLY DEPEND ON A MECHANICAL SAFETY. It is not a substitute for proper shotgun handling. Like all mechanical devices the safety is subject to breakage or malfunction and can be defeated by wear, abuse, dirt, corrosion, incorrect assembly of the shotgun, improper adjustment or repair, or lack of maintenance.

4. NO MECHANICAL SAFETY IS "CHILDPROOF" OR "FOOLPROOF". No safety ever invented can be relied upon to prevent an accidental shooting by a determined child or a grownup idiot "playing" with a shotgun.

5. TREAT EVERY SHOTGUN AS IF YOU EXPECT ITS MECHANICAL SAFETY NOT TO WORK. You will be astounded at how cautious you become, and how little tolerance you will have for the complacency of others.

Carrier

It is located under the receiver, in front of the trigger guard.

Bolt / Carrier Release Button

It is located on the carrier.

When the bolt is locked open, depressing this button releases the bolt and carrier.

Trigger

It is located in the trigger guard. With the safety "OFF" and a cartridge in the chamber, pulling the trigger fires the shotgun.

Bolt Handle

It is located at the right side of the shotgun, protruding from the bolt. It is used for retracting the bolt.

Magazine Cap

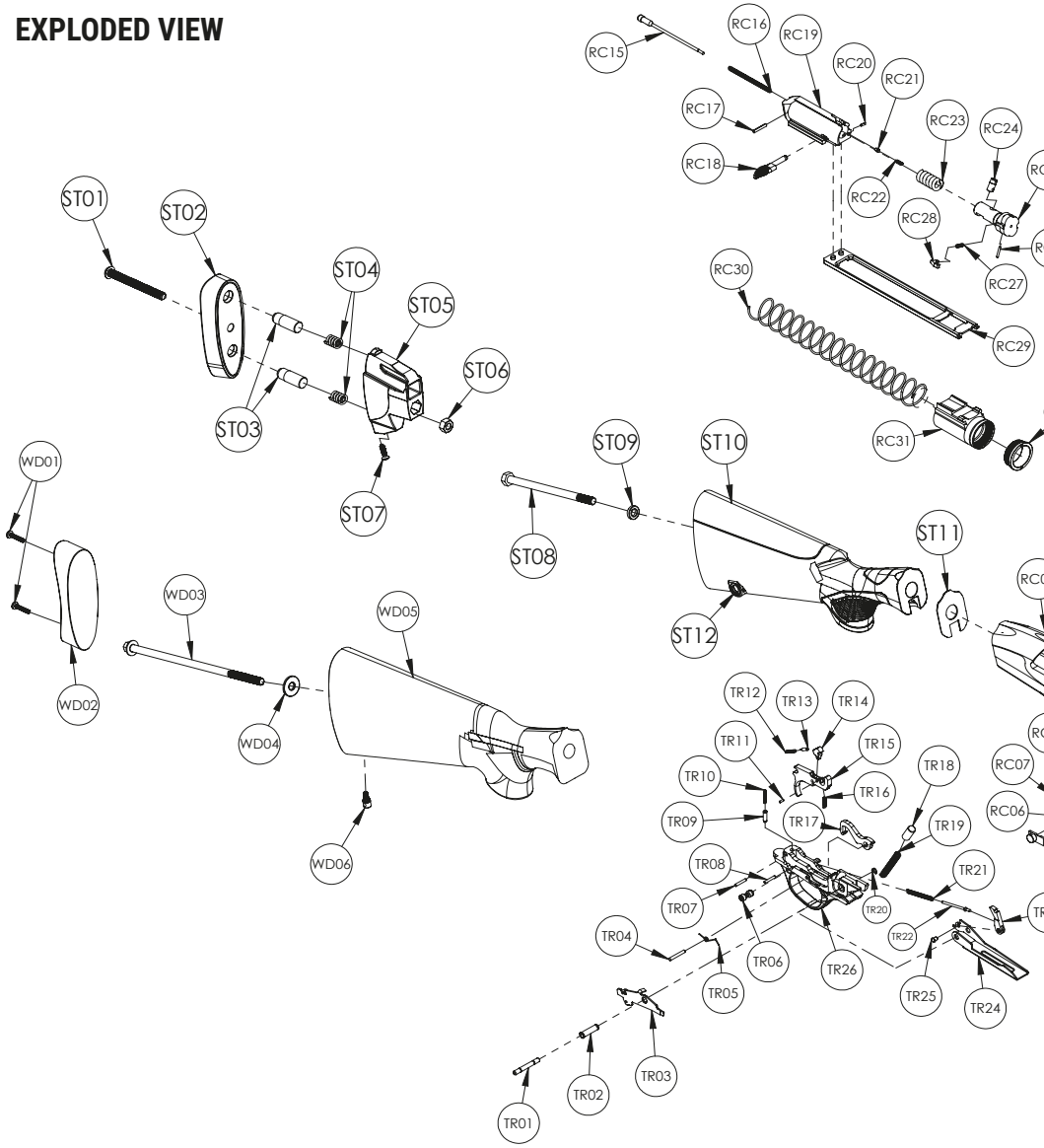
It is located at the end of the magazine tube, in front of the fore-end and under the barrel. It is screwed (clock-wise) on the magazine tube to keep the fore-end and barrel properly in their place.

CODE PART NAME

BR 01	Barrel Extension Cover	RC 19	Bolt
BR 02	Ejector retainer spring (rear)	RC 20	bolt handle ball spring retainer pin
BR 03	Ejector bearing	RC 21	bolt handle ball
BR 04	Ejector Spring	RC 22	bolt handle ball spring
BR 05	Ejector Pin	RC 23	Helix Spring
BR 06	Ejector	RC 24	Rotating Bolt Head Pin
BR 07	Ejector retainer spring (front)	RC 25	Rotating Bolt Head
BR 08	Barrel Extension	RC 26	Extractor Pin
BR 09	Rib	RC 27	Extractor Spring
BR 10	Gas Piston	RC 28	Extractor
BR 11	Gas Piston Ring	RC 29	Action Bar
BR 12	O Ring	RC 30	Return Spring
BR 13	Gas Cylinder	RC 31	Action Bar Bushing
BR 14	Front Sight	RC 32	Shock Absorber
BR 15	Choke		
BR 16	Barrel		
ST 01	CoREX Bolt	TR 01	Trigger Guard Retaining Pin
ST 02	Recoil Pad	TR 02	Hammer capsule pin
ST 03	CoREX pins	TR 03	Carrier Latch
ST 04	CoREX springs	TR 04	Trigger Retainer Pin
ST 05	CoREX	TR 05	Carrier Latch spring
ST 06	CoREX Bolt nut	TR 06	Safety button
ST 07	CoREX retainer screw	TR 07	Safety spring retainer pin
ST 08	Stock Bolt	TR 08	Trigger Pin
ST 09	Stock Bolt washer	TR 09	Safety Pin
ST 10	Stock	TR 10	Safety spring
ST 11	Shim for stock adjustment	TR 11	Inner trigger retainer pin
ST 12	QD sling mount slot	TR 12	Inner trigger spring
ST 13	Forearm	TR 13	Inner trigger pin
ST 14	Forearm Bushing	TR 14	Inner trigger
ST 15	Forearm Bushing Bearing pin	TR 15	Trigger
ST 16	Forearm Bushing Bearing spring	TR 16	Trigger spring
ST 17	Forearm Bushing Bearing	TR 17	Hammer
		TR 18	Hammer guide
RC 01	Receiver	TR 19	Hammer guide spring
RC 02	Cartridge Latch retainer Pin (short)	TR 20	Hammer capsule pin snap ring
RC 03	Cartridge Latch	TR 21	Carrier Lever spring
RC 04	Cartridge Latch retainer Pin (long)	TR 22	Carrier Lever pin
RC 05	Bolt release button	TR 23	Carrier Lever
RC 06	Bolt release button spring	TR 24	Carrier
RC 07	Cartridge Latch spring	TR 25	Carrier retainer pin
RC 08	Magazine Follower - Bottom	TR 26	trigger guard
RC 09	Magazine Tube	WD 01	Recoil Pad Screws
RC 10	Magazine Tube Spring	WD 02	Recoil Pad
RC 11	Magazine Follower - Top	WD 03	Stock Bolt
RC 12	Nut	WD 04	Stock Bolt Washer
RC 13	QD Sling Swivel Slot - Front	WD 05	Stock
RC 14	Magazine Cap	WD 06	Swivel Stud
RC 15	Firing Pin	WD 07	Forearm Inner Plate Retainers
RC 16	Firing Pin Spring	WD 08	Forearm
RC 17	Firing Pin Retainer Pin	WD 09	Forearm Bushing
RC 18	Bolt Handle	WD 10	Forearm Bushing Guide

** Please specify model name, caliber and barrel length when ordering parts.

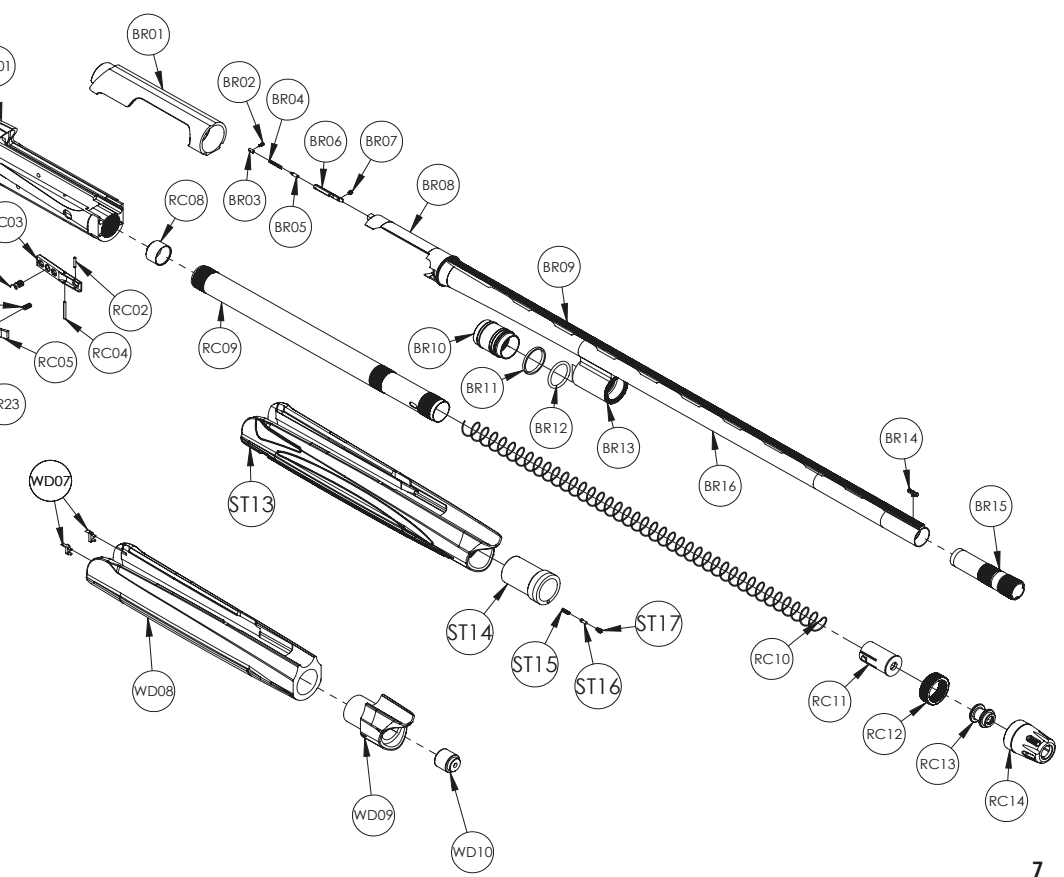
EXPLODED VIEW



C25

C26

RC32



ASSEMBLY INSTRUCTIONS

Your new semi auto shotgun is packed dismounted in its box, i.e. barrel is separated from the stockreceiver-fore-end assembly. To attach the barrel, first remove all parts from the nylon bags. Before proceeding with the assembly of the shotgun, carefully check the "Nomenclature" and read "Safety Measures" sections.

WARNING!

Before assembling the barrel, check the barrel. Bore and cartridge chamber must be clean and there should be no obstructions in them. Look through the loading gate and assure that magazine tube and receiver are empty.

Assemble the barrel as follows:

- Unscrew (counter-clockwise) the fore-end cap. **(1)**
- Remove the fore-end from the magazine tube. **(2)**
- Unscrew (counter-clockwise) the nut that is on the magazine tube. **(3)**
- Insert the barrel extension into the receiver. While doing this be sure that the gas port ring is aligned with the magazine tube and the barrel extension seats between the bolt and the receiver. Continue to slide the barrel extension into the receiver; here gas port ring would slide over the magazine tube. Retract the bolt backwards by means of bolt cocking handle until it is locked at the rear. Then completely insert the barrel extension into the receiver. **(4)**
- Screw the nut onto the magazine tube **(5)**
- Slide the fore-end over the magazine tube until it completely seats around the barrel-receiver magazine tube assembly and until fore-end cap threaded post protrudes. **(6)** and **(7)**
- Depress the trigger to lower the hammer.

WARNING!

- IF
 1. Bolt does not slide forward
 2. There is a gap between the fore-end and receiver
 3. Barrel extension protrudes from the receiver that means you have not assembled the shotgun properly. In such a case, immediately reverse assembly procedures and re-assemble your shotgun making sure that the barrel is completely inserted into the receiver, fore-end is completely in place and there are no gaps. If you still cannot assemble the shotgun properly take it to a qualified shotgunsmith for help.

******After you assembled your shotgun or if you are taking it to a gunsmith for help, make sure that you keep the safety "ON".

LOADING THE SHOTGUN

WARNING!

- Always keep your fingers away from the trigger if you do not intend to fire.
- Always check cartridge chamber, magazine tube and receiver to see that the shotgun is not already loaded.
- While you load the shotgun, always point the barrel in a safe direction.
- Always use the correct ammo size, which your shotgun is chambered.
- Always keep the safety "ON" while loading your shotgun.

Load the shotgun as follows:

- Point the muzzle in a safe direction!
- Put the safety "ON" if it is disengaged.
- Retract the bolt by means of cocking handle until it is locked at the rear.
- Insert through the ejection port the first round into the cartridge chamber.
- Keeping fingers away from the ejection port and the path of the bolt cocking handle depress the bolt/carrier release button, so the bolt snaps closed and is locked at the front.
- Turn the shotgun upside down so that the carrier is facing up. By depressing the bolt/carrier release button with the shot shells, insert up to 5 cartridges (if the magazine extension assembled up to 7 cartridges and if the magazine plug assembled up to 2) into the magazine tube until the last cartridge engages the stop tooth.

WARNING!

Shotgun is now loaded and ready to be fired.

FIRING THE SHOTGUN

WARNING!

- When firing, keep your fingers and other objects away from the path of the bolt and the bolt cocking handle since they move backward and forward with considerable force and velocity.
- Keep the safety "ON" and your finger outside the trigger guard until you are actually ready to fire and aimed at your intended target.
- Bolt will remain open (locked to the rear) after the last round is fired, but never rely on this. Always check with your eyes to verify no cartridge is left in the chamber and magazine.
- Your semi auto shotgun, like other semi auto shotguns, feed the next round from the magazine tube into the cartridge chamber each time you fire. Since no mechanical force is necessary to fire another round after the previous one is ejected, always be aware that the shotgun is ready to fire as long as it is loaded.

Fire with your shotgun as follows;

- Wear eye and ear protection.
- Engage safety and load your shotgun. (see Loading section)
- Point the barrel at your intended target.
- Disengage safety and take aim.
- Press the trigger.

USE OF THE “CHOKES”

Shotgun choke is a constriction in the end of a shotgun barrel which focuses the shot into a tighter stream—much like a nozzle on the end of a water hose, which does exactly the same thing for exactly the same reason.

WARNING!

- Make sure the shotgun is unloaded and the safety “ON” before you assemble/disassemble the chokes.
- Under safety conditions (cartridge chamber empty, receiver empty, magazine tube empty, safety engaged), check whether the choke worked loose during use. In such a case, the choke must be tightened to the end by means of the choke wrench.

Assembly & disassembly of the chokes:

- Take one of the chokes of your choice. Place it inside barrel and by means of choke wrench; screw (clockwise) it to the end until it is completely tightened.
- To disassemble, unscrew (counter-clockwise) by means of choke wrench and remove it.



UNLOADING

WARNING!

Keep your fingers off the trigger and keep the safety “ON”.

Unload your shotgun as follows;

- Point the shotgun in a safe direction and engage the safety.
- Retract the bolt handle until the live round in the chamber is ejected
- Repeat this process until no more rounds are ejected from the magazine tube.
- When no more rounds are ejected from the magazine tube, visually check to assure the magazine tube and receiver are empty, and retract the bolt enough to see and make sure that the cartridge chamber is empty.
- Disengage safety and pointing the shotgun in safe direction (even though it may be unloaded), depress the trigger to lower the hammer.

DISASSEMBLY INSTRUCTIONS

WARNING!

Before disassembling the shotgun, always make sure that the shotgun is not loaded, barrel is pointed in a safe direction and safety "ON".

Disassemble the shotgun as follows:

- With the bolt in the forward position unscrew (counter-clockwise) the magazine cap. Remove the magazine cap from the magazine tube. **(8)**
- Remove the fore-end by sliding it to the front **(9)**
- Unscrew (counter-clockwise) the nut that is on the magazine tube **(10)**
- With your fingers compress the bolt to align the two notches on the bolt where the cocking handle is attached. Then with your other hand pull the bolt cocking handle and remove it from the bolt.
** Bolt cocking handle is secret coded to prevent falling risk of it.
- Slide the bolt and the action bar forwards and remove them from the magazine tube-receiver assembly. While doing this be careful since the bolt may fall from the action bar. Therefore keep the bolt up during this operation.

NOTE: To reassemble the shotgun, reverse the above disassembly procedures.

USE OF THE "STOCK DROP SPACERS"

Stock drop spacer gives you the possibility of having desired slope of the stock.

There are 4 stock drop spacers (shims) packed with your gun and 1 (zero) is installed between stock and receiver

It is recommended to have your stock drop spacer(s) assembled by a qualified gunsmith.

WARNING!

Before assembling the stock drop spacer(s), always make sure the shotgun is unloaded and the safety is engaged.

Assembly & disassembly of the stock drop spacer(s):

- Unscrew (counter-clockwise) the butt plate screws, and remove the recoil pad.
- Turn (counter-clockwise) the nut in the hole in which the stock connecting rod extends by means of a box spanner, and remove the stock connecting nut, spring washer and the washer. Then, remove the stock from the stock connection rod.
- Assemble the stock drop spacer(s) and put the stock over the stock connection rod.
- Assemble back the stock connecting nut, spring washer and the washer.
- Screw (clockwise) the butt plate screws to the end until the stock completely seats in its place.
- To disassemble the stock drop spacer(s), reverse the assembly process.

CARE, CLEANING AND LUBRICATION

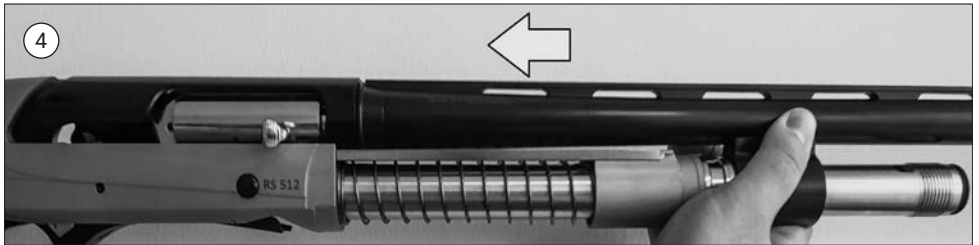
WARNING!

Before cleaning or lubricating the shotgun make sure it is unloaded and the safety "ON".

It is recommended to disassemble the shotgun to clean and to lubricate it when grease or dirt particles accumulate and combustion residues. To have the best resistance against corrosion, it is necessary to clean and lubricate the shotgun after each use, especially after use in wet and saline environment.

Materials and equipment necessary for cleaning and lubrication;

- Cleaning rod
 - Cotton bore patches
 - Brass bore brush
 - Powder solvent
 - Small soft brush
 - Good quality shotgun oil
- After use, to remove any powder and lead residue in the bore, scrub the barrel and chamber using the bore brush with powder solvent. Then do not forget to swab the bore and the chamber with shotgun oiled cotton patches to protect from rust and corrosion.
 - At the end of the hunting season or after a high number of shots (about 500 shots), disassemble the bolt assembly and clean it with a soft brush and shotgun oil. Then dry it carefully with a soft cloth and oil the parts lightly.
 - Take care of the trigger assembly as it is described for the bolt assembly.
 - Clean the outside of the magazine tube with a shotgun oiled soft cloth and then dry it with a soft cloth and oil the parts lightly.
 - Any powder on the firing wall, barrel, etc. can be cleaned with a brush and powder solvent.
 - All external surfaces should be wiped down with light coat of rust preventative.
 - Avoid using too much solvent for bore cleaning, since prolonged or excess contact can damage the finish of the wood. Make sure to wipe away all the excess solvent and lubricant.
 - After use, check the gas piston whether it slides freely inside the gas cylinder. Gas piston should be cleaned and very lightly oiled after each use. The two holes in the gas cylinder should be kept clear and open at all times to remain the shotgun functioning properly. Clean inside of the gas cylinder if necessary.
 - Check the rubber 'O' ring for cracks, splits, etc. and replace it with a new one if necessary.





AIM FOR **THE NEXT LEVEL**



reximex

Bayavsar Mah. 41958 Sok. No:3
Beysehir - Konya / TURKIYE

P. +90 332 511 00 55

info@reximex.com

www.reximex.com

